

Economy Basket Strainer

Model 30R

- Sizes 1- 1/2" to 8"
- Iron
- Threaded or flanged

Features

- Hand removable cover
- Drain plug
- Machined basket seat
- Perforated or mesh 316 stainless steel basket

Options

- Basket perforations from 1/32" to 1/2"
- Basket mesh from 20 to 400
- MONEL® baskets
- Vent valves
- Drain valves
- Gauge/vent taps - 1/4" NPT
- Magnetic basket inserts
- Pressure differential gauges and switches

MONEL® is a registered trademark of Special Metals Corporation group of Companies.



The Eaton Model 30R is a high-quality, low cost simplex basket strainer—perfect for cost sensitive applications.

Whereas the cost of the Model 30R is low, its design incorporates many features found only on more expensive units, including machined basket seats to protect against bypass, ensuring all of the flow is strained. The cover of the Model 30R is a clamp type and is hand removable

without the need for tools. This makes access to the basket quick and easy for cleanings or changeouts and every size strainer comes standard with a drain plug.

The Model 30R is the best choice simplex strainer for low or moderate pressure applications such as swimming pools, cooling towers and large air conditioning installations.

Selection chart

Size	Material	End connections	Seals	Pressure rating*
1-1/2" to 3"	Iron	Threaded	Buna-N®	200 psi (13.8 bar)
1-1/2" to 8"	Iron	Flanged 125#	Buna-N	200 psi (13.8 bar)

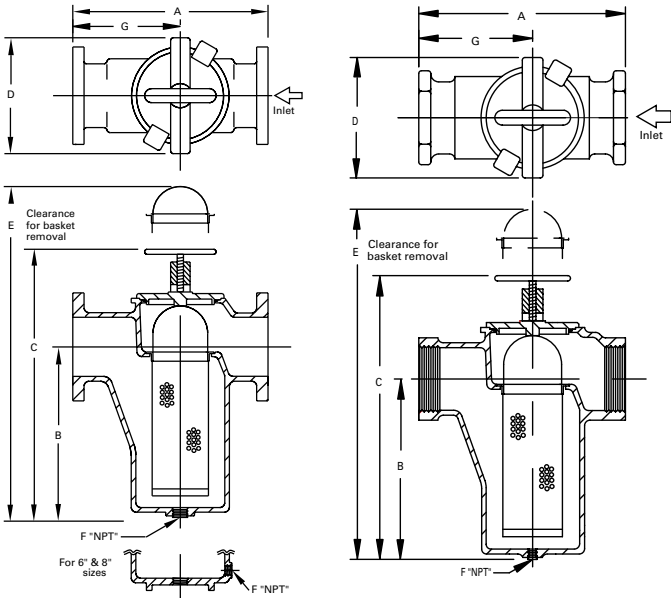
* @ 100 °F (38 °C)

C_v factors*

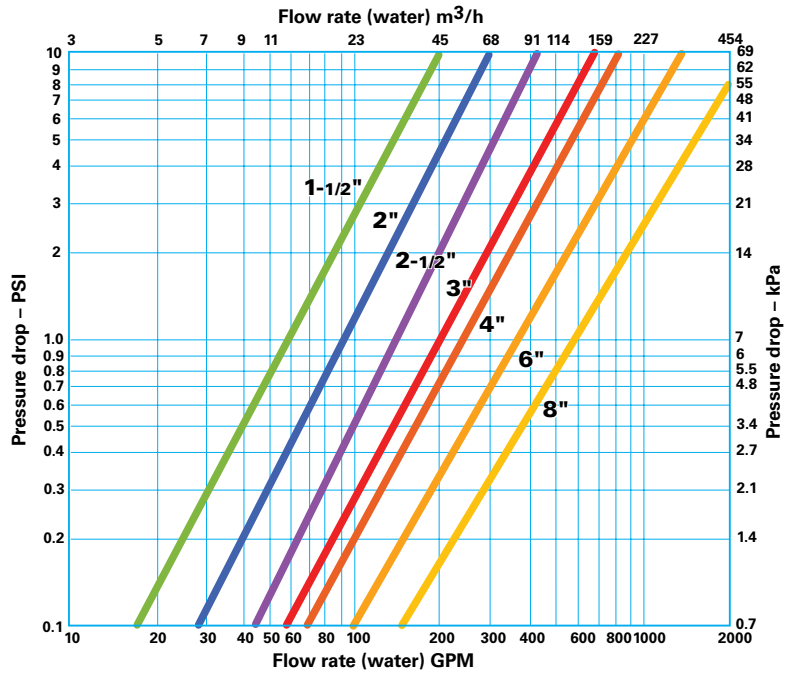
Size	Value	Size	Value
1-1/2"	58	4"	240
2"	90	6"	370
2-1/2"	140	8"	600
3"	200		

* For water with clean, perforated basket

Model 30R Economy Basket Strainer



Dimensions and weights are for reference only. Contact Eaton for certified drawings.



Dimensions (in/mm) flanged

Pipe size	A	B	C	D	E	F	G	Dry wt (lb / kg)
1-1/2	7.75 / 197	6.50 / 165	10.63 / 270	6.00 / 152	14.88 / 378	3/4	4.44 / 113	12 / 5.5
2	9.63 / 245	7.50 / 191	11.63 / 295	7.50 / 191	17.38 / 441	1-1/4	5.63 / 143	27 / 12.3
2-1/2	11.00 / 279	9.13 / 232	15.25 / 387	8.00 / 203	22.38 / 568	1-1/4	5.88 / 149	45 / 20.5
3	11.88 / 302	9.13 / 232	15.25 / 387	8.00 / 203	22.38 / 568	1-1/4	6.50 / 165	59 / 26.6
4	13.75 / 349	9.63 / 245	16.63 / 422	9.25 / 235	30.00 / 762	1-1/2	8.44 / 214	71 / 32.2
6	17.50 / 445	12.38 / 315	26.13 / 664	14.75 / 375	35.00 / 889	2	10.31 / 262	150 / 68.1
8	23.63 / 600	17.75 / 451	32.63 / 829	14.75 / 375	48.00 / 1219	2	14.50 / 368	230 / 104.3

Dimensions (in/mm) threaded

Pipe size	A	B	C	D	E	F	G	Dry wt (lb / kg)
1-1/2	7.00 / 178	6.50 / 165	10.63 / 270	6.00 / 152	14.88 / 378	3/4 / 20	3.88 / 99	7 / 3.2
2	8.50 / 216	7.50 / 191	11.63 / 295	7.50 / 191	17.38 / 441	1-1/4 / 32	4.81 / 122	20 / 9.1
2-1/2	11.50 / 292	9.13 / 232	15.25 / 387	8.00 / 203	22.38 / 568	1-1/4 / 32	6.00 / 152	34 / 15.5
3	11.50 / 292	9.13 / 232	15.25 / 387	8.00 / 203	22.63 / 575	1-1/4 / 32	6.00 / 152	34 / 15.5



Brisbane, Australia
www.monarchindustrial.com.au
www.monarchasiapacific.com.au