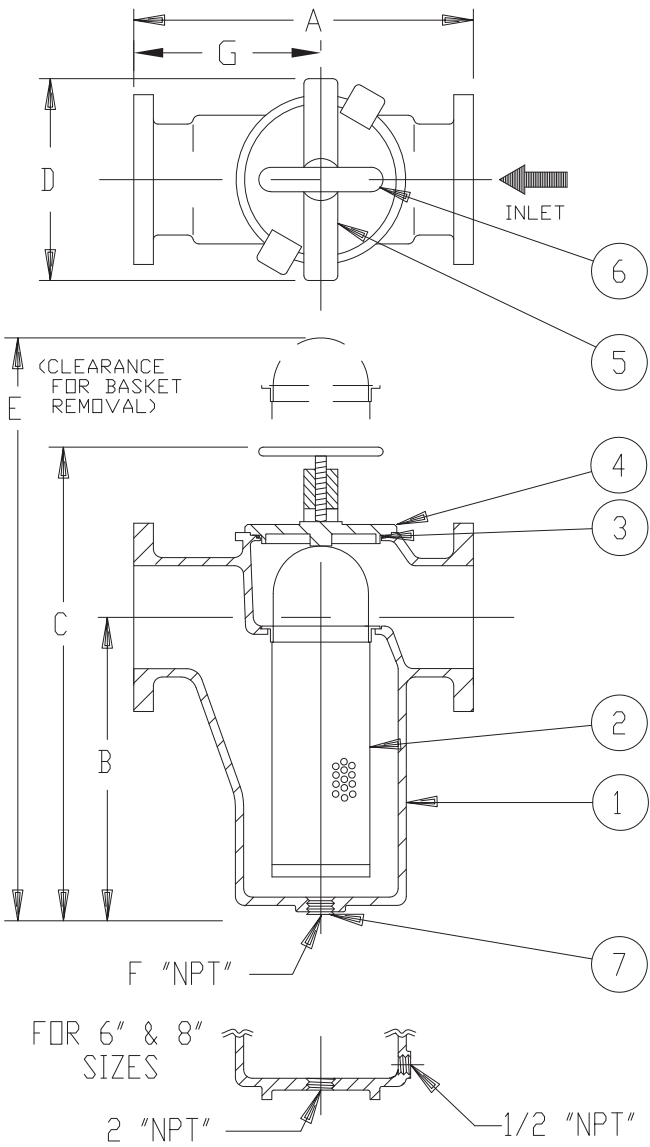


REVISIONS				
REV	DESCRIPTION	BY	ECO	DATE
F	UPDATE TITLE BLOCK	FM	0105339	12/8/2014



NO.	PART NAME	MATERIAL
1	BODY	CAST IRON ASTM A126 CL B
2	BASKET	
	PERF. DIA. MESH	
3	O-RING	BUNA-N
4	COVER	CAST IRON ASTM A126 CL B
5	YOKE	DUCTILE IRON
6	YOKE SCREW	CARBON STEEL
7	DRAIN PLUG	CAST IRON ASTM A48 CL 30

NOTES:

- INLET/OUTLET 125 LB. FLANGED CONNECTIONS PER ASME B16.1.
- MAX. WORKING PRESSURE: 200 PSI @ 100° F (13.8 BAR @ 37.8° C)

PIPE SIZE (NOMINAL)	DIMENSIONS								WEIGHT (DRY)		PART NO.						
	A		B		C		D		E			F (NOM.)		G		LBS.	KGS.
	IN.	MM.	IN.	MM.	IN.	MM.	IN.	MM.	IN.	MM.	IN.	MM.	IN.	MM.			
1-1/2" (40mm)	7.75	/ 197	6.50	/ 165	10.63	/ 270	6.00	/ 152	14.88	/ 378	3/4	(20)	4.44	/ 113	12	/ 5.5	ST30R015AF40A
2" (50mm)	9.63	/ 245	7.50	/ 191	11.63	/ 295	7.50	/ 191	17.38	/ 441	1-1/4	(32)	5.63	/ 143	27	/ 12.3	ST30R020AF40A
2-1/2" (65mm)	11.00	/ 279	9.13	/ 232	15.25	/ 387	8.00	/ 203	22.38	/ 568	1-1/4	(32)	5.88	/ 149	45	/ 20.5	ST30R025AF40A
3" (80mm)	11.88	/ 302	9.13	/ 232	15.25	/ 387	8.00	/ 203	22.63	/ 568	1-1/4	(32)	6.50	/ 165	59	/ 26.6	ST30R030AF40A
4" (100mm)	13.75	/ 349	9.63	/ 245	16.63	/ 422	9.25	/ 235	30.00	/ 762	1-1/2	(40)	8.44	/ 214	71	/ 32.2	ST30R040AF40A
6" (150mm)	17.50	/ 445	12.38	/ 315	26.13	/ 664	14.75	/ 375	35.00	/ 889	2	(50)	10.31	/ 262	150	/ 68.1	ST30R060AF40A
8" (200mm)	23.63	/ 600	17.75	/ 451	32.63	/ 829	14.75	/ 375	48.00	/ 1219	2	(50)	14.50	/ 368	230	/ 104.3	ST30R080AF40A



DRAWN BY  
VAA  
SCALE  
AS DRAWN



HYDRAULICS GROUP  
FILTRATION DIVISION  
GALESBURG, MICHIGAN, USA • TINTON FALLS, NEW JERSEY, USA

CUSTOMER INFO

RESTRICTION  
RESTRICTED  
SHEET  
1 OF 1

TITLE  
MODEL 30R SIMPLEX STRAINER 125#FF FLANGE  
SIZES 1-1/2" THRU 8" CAST IRON

PROJECTION  
THIRD ANGLE

DATE 5/8/92 SIZE A DWG FILENAME SD30R061 REV F

PART NO. SEE TABLE

EATON CORPORATION - CONFIDENTIAL AND PROPRIETARY NOTICE TO PERSONS RECEIVING THIS DRAWING AND/OR TECHNICAL INFORMATION  
THIS DOCUMENT, INCLUDING THE DRAWING AND INFORMATION CONTAINED THEREON IS CONFIDENTIAL AND IS THE EXCLUSIVE PROPERTY OF EATON AT ANY TIME. BY TAKING THE POSSESSION OF THIS DOCUMENT THE RECIPIENT ACKNOWLEDGES AND AGREES THAT THIS DOCUMENT CANNOT BE USED IN ANY MANNER ADVERSE TO THE INTEREST OF EATON AND THAT NO PORTION OF THIS DRAWING MAY BE COPIED OR OTHERWISE REPRODUCED WITHOUT THE PRIOR WRITTEN CONSENT OF EATON, IN THE CASE OF CONFLICTING CONTRACTUAL PROVISIONS, THIS NOTICE SHALL GOVERN THE STATUS OF THIS DOCUMENT.  
2014 EATON CORPORATION - ALL RIGHTS RESERVED.