



## PMD Series Double Acting Pneumatic Actuators

FOR BALL VALVES UP TO 2"  
FOR BUTTERFLY VALVES UP TO 3"

### KEY FEATURES

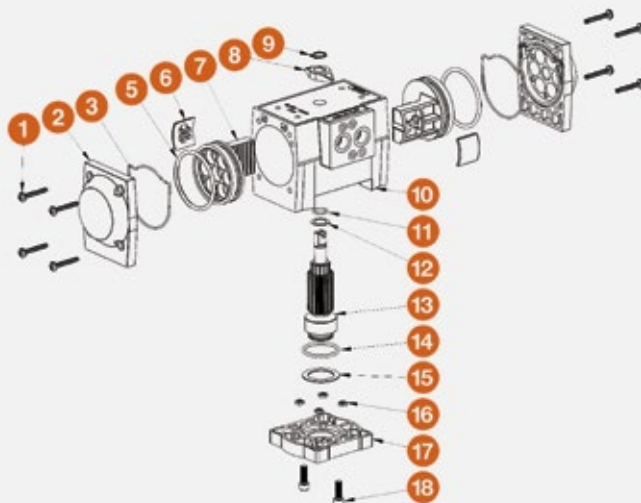
- Double Acting Air-to-Open and Close
- Corrosion-Resistant Thermoplastic Housing
- Permanently Lubricated Gear Train
- Manual Override
- Two-Piston Rack and Pinion Design
- Namur-Style Mounting
- Position Indicator
- Lightweight
- ISO 5211 Mounting Base

### OPTIONS

- Solenoid Valves with Optional Voltages
- Auxiliary Limit Switch
- Cycle Speed Controls
- Positioners

## TECHNICAL INFORMATION

### EXPLODED VIEW



### SPECIFICATIONS

HOUSING	Polyamide
OUTPUT SHAFT	Carbon Steel, Nickel Plated
MINIMUM AIR PRESSURE	80 PSI
MAXIMUM AIR PRESSURE	120 PSI
SEALS	Nitrile
CYCLE TIME	Half Second, Typical
AIR PORT CONNECTIONS	1/4" NPT

Brisbane, Australia  
[www.monarchindustrial.com.au](http://www.monarchindustrial.com.au)  
[www.monarchasiapacific.com.au](http://www.monarchasiapacific.com.au)

# PMD Series Double Acting Pneumatic Actuators

FOR BALL VALVES UP TO 2"  
FOR BUTTERFLY VALVES UP TO 3"



**MONARCH**  
INDUSTRIAL PRODUCTS

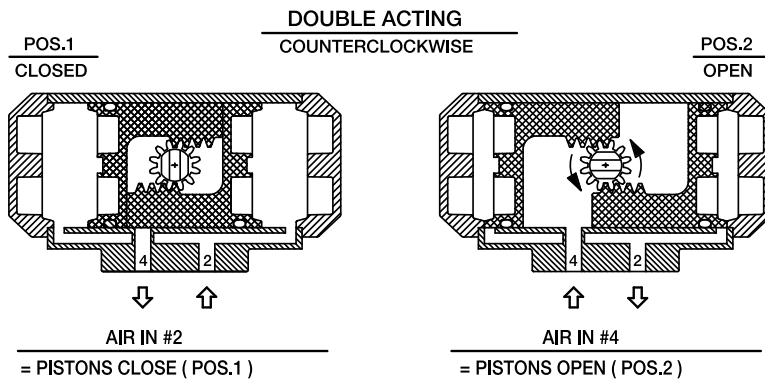
## TECHNICAL INFORMATION, CONTINUED

### DIMENSIONS

MODEL	$\phi A$ in / mm	B in / mm	C in / mm	L in / mm	P in / mm	R in / mm
PMD15	.551 / 14 ISO F05	1/4-20 x .512 UNC-ISO F05	$\phi 1.969$ / 50 ISO F05	6.299 / 160	4.370 / 111	3.386 / 86

Dimensions are subject to change without notice – consult factory for installation information

### ACTUATOR OPERATING SYSTEMS



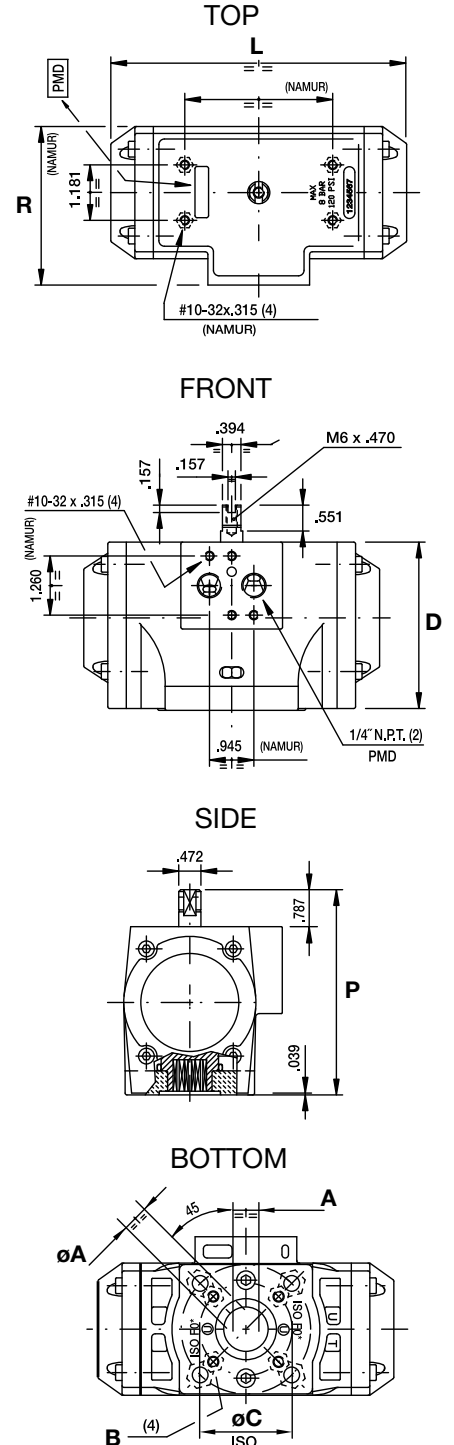
### ACTUATOR SPECIFICATIONS

MODEL	PMD15
Torque Output (in-lbs) @ 80 PSI	275
Enclosure Material	Polyamide
Output Shaft	Carbon Steel, Nickel Plated
Air Port Connections	1/4" NPT
Air Consumption (cu. in.)	22.0
Air Transfer	Internal
Stroke Time (seconds)	.5
Cycle Time	1/2 Second
Minimum Air Pressure	80 PSI
Maximum Air Pressure	120 PSI
Operation	Rack and Pinion
Weight (lbs / kg)	2.624 / 1.2

### VALVE SELECTION CHART

SIZE* in / DN	TB / TBH / CV / CVH SERIES BALL VALVES	TW/LA SERIES BALL VALVES	BYV SERIES BUTTERFLY VALVES
1/2 - 2 / 15 - 50	PMD15	PMD15	N/A
2 - 3	-	-	PMD15

\* Actuator selection based on clean water @ 70°F



Hayward is a registered trademark  
of Hayward Industries, Inc.  
© 2018 Hayward Industries, Inc.

USA: 1.888.429.4635 • Fax: 1.888.778.8410 • One Hayward Industrial Drive • Clemmons, NC 27012 • Email: hfcsales@hayward.com  
Canada: 1.888.238.7665 • Fax: 1.905.829.3636 • 2880 Plymouth Drive • Oakville, ON L6H 5R4 • Email: hflowcanada@hayward.com  
Visit us at: haywardflowcontrol.com



## PMS Series Spring Return Pneumatic Actuators

FOR BALL VALVES UP TO 2"

### KEY FEATURES

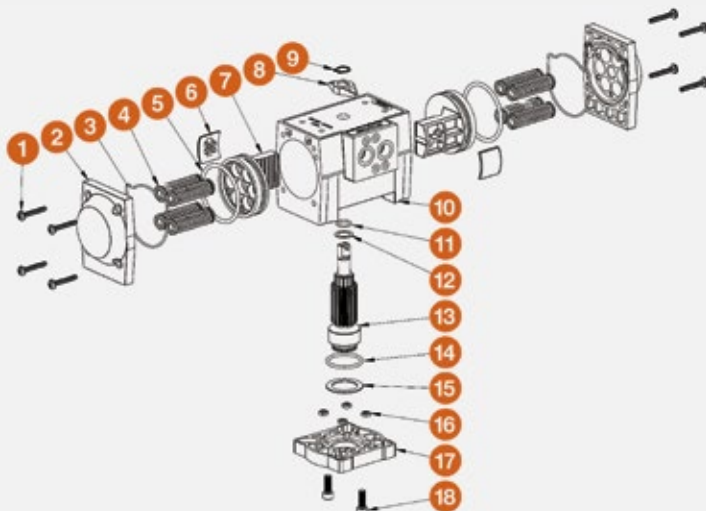
- Air to Spring Fail-Safe Operation
- Corrosion-Resistant Thermoplastic Housing
- Permanently Lubricated Gear Train
- Manual Override
- Two-Piston Rack and Pinion Design
- Namur-Style Mounting
- Position Indicator
- Lightweight
- ISO 5211 Mounting Base

### OPTIONS

- Solenoid Valves with Optional Voltages
- Auxiliary Limit Switch
- Cycle Speed Controls
- Positioners

## TECHNICAL INFORMATION

### EXPLODED VIEW



### SPECIFICATIONS

HOUSING	Polyamide
OUTPUT SHAFT	Carbon Steel, Nickel Plated
MINIMUM AIR PRESSURE	80 PSI
MAXIMUM AIR PRESSURE	120 PSI
SEALS	Nitrile
CYCLE TIME	Half Second, Typical
AIR PORT CONNECTIONS	1/4" NPT

Brisbane, Australia  
[www.monarchindustrial.com.au](http://www.monarchindustrial.com.au)  
[www.monarchasiapacific.com.au](http://www.monarchasiapacific.com.au)

# PMS Series Spring Return Pneumatic Actuators

FOR BALL VALVES UP TO 2"



**MONARCH**  
INDUSTRIAL PRODUCTS

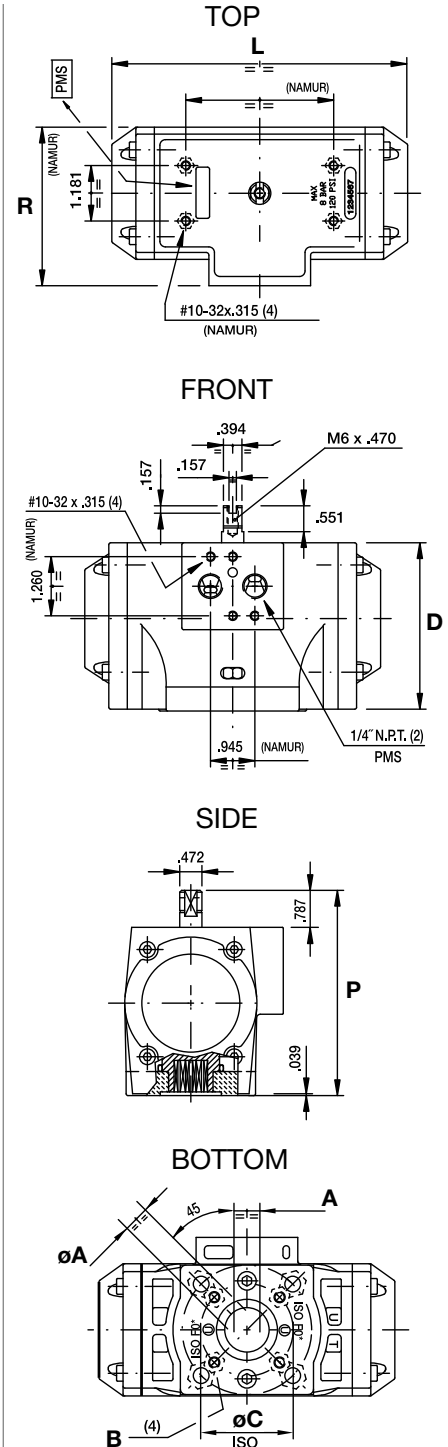
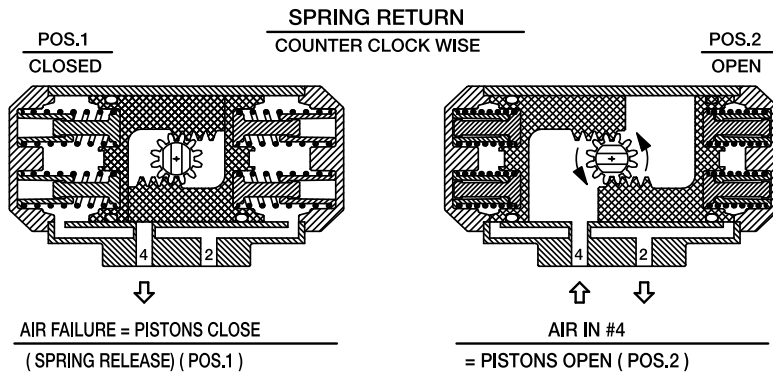
## TECHNICAL INFORMATION, CONTINUED

### DIMENSIONS

MODEL	øA in / mm	B in / mm	C in / mm	L in / mm	P in / mm	R in / mm
PMD15	.551 / 14 ISO F05	1/4-20 x .512 UNC-ISO F05	ø1.969 / 50 ISO F05	6.299 / 160	4.370 / 111	3.386 / 86

Dimensions are subject to change without notice – consult factory for installation information

### ACTUATOR OPERATING SYSTEMS



### ACTUATOR SPECIFICATIONS

MODEL	PMS15
Torque Output (in-lbs) @ 80 PSI	168 / 125
Spring Stroke (Start/End)	150 / 107
Enclosure Material	Polyamide
Output Shaft	Carbon Steel, Nickel Plated
Air Port Connections	1/4" NPT
Air Consumption (cu. in.)	10.8
Air Transfer	Internal
Stroke Time (seconds)	.5
Cycle Time	1/2 Second
Minimum Air Pressure	80 PSI
Maximum Air Pressure	120 PSI
Operation	Rack and Pinion
Weight (lbs / kg)	3.1 / 1.4

### VALVE SELECTION CHART

SIZE* in/DN	TB / TBH / CV / CVH SERIES BALL VALVES	TW/LA SERIES BALL VALVES
1/2 – 2 / 15 – 50	PMS15	PMS15

\* Actuator selection based on clean water @ 70°F



Hayward is a registered trademark  
of Hayward Industries, Inc.  
© 2018 Hayward Industries, Inc.

USA: 1.888.429.4635 • Fax: 1.888.778.8410 • One Hayward Industrial Drive • Clemmons, NC 27012 • Email: hfcsales@hayward.com  
Canada: 1.888.238.7665 • Fax: 1.905.829.3636 • 2880 Plymouth Drive • Oakville, ON L6H 5R4 • Email: hflowcanada@hayward.com  
Visit us at: haywardflowcontrol.com