



02 Size



Australian Agents for Hayward

FLV Series  
PVC & CPVC Bag Filter  
Product Guide

[www.monarchindustrial.com.au](http://www.monarchindustrial.com.au)

[www.monarchasiapacific.com.au](http://www.monarchasiapacific.com.au)

FLOW CONTROL

define  
design

deliver

16

QUALITY

SERVICE

INTEGRITY



## FLV Series PVC & CPVC Bag Filters

DOUBLE LENGTH 32"  
1-1/4" TO 4" PIPE SIZES

### KEY FEATURES

- Available in PVC or CPVC Materials
- True Union End Connections - Socket, Threaded or Flanged
- Hand Removable, Ergonomic Cover with Liquid Displacing Dome
- Vent Valve Included on Cover
- Rated up to 100 GPM Flow Rates
- In-Line or Loop Flow Configurations
- Solid 1-Piece Basket
- Drain Port at Bottom
- Integral Mounting Base

### KEY BENEFITS

- Easier Installations Due to True Union Connectivity
- Vertical Flow Flutes in Basket, No Bag Snag and More Flow Area

### TYPICAL APPLICATIONS

- Water and Wastewater Treatment
- Desalinization, RO and Deionized Water Systems
- Chemical Processing & Handling
- Bleach & Sodium Hypochlorite Processing
- Food and Beverage
- Metal Plating & Surface Finishing
- Aquatic and Animal Life Support Systems
- Marine and Corrosive Environments

### OPTIONS

- Pressure Gauge with Gauge Guard
- Pressure Differential Gauge and Switch
- EPDM O-Ring Seals
- Duplex Configuration

### MATERIALS

- PVC Cell Class 12454 per ASTM D1784
- CPVC Cell Class 23447 per ASTM D1784
- FPM Standard O-Ring Seals

## TECHNICAL INFORMATION

### SELECTION CHART

SIZE / BODY MATERIAL	END CONNECTIONS	PIPING SIZES	O-RING SEALS	PRESSURE RATING (BAR)
Double Length 7" x 32" PVC or CPVC	PVC (Socket, Threaded & Flanged)	1-1/4" – 4" rated @ 100 GPM*	FPM or EPDM	150 PSI @ 70°F Non-Shock (10 Bar / 1 MPa @ 21°C)
	CPVC (Socket, Threaded & Flanged)			

\* May be Limited by Pipe Size or Bag Choice

# FLV Series PVC & CPVC Bag Filters

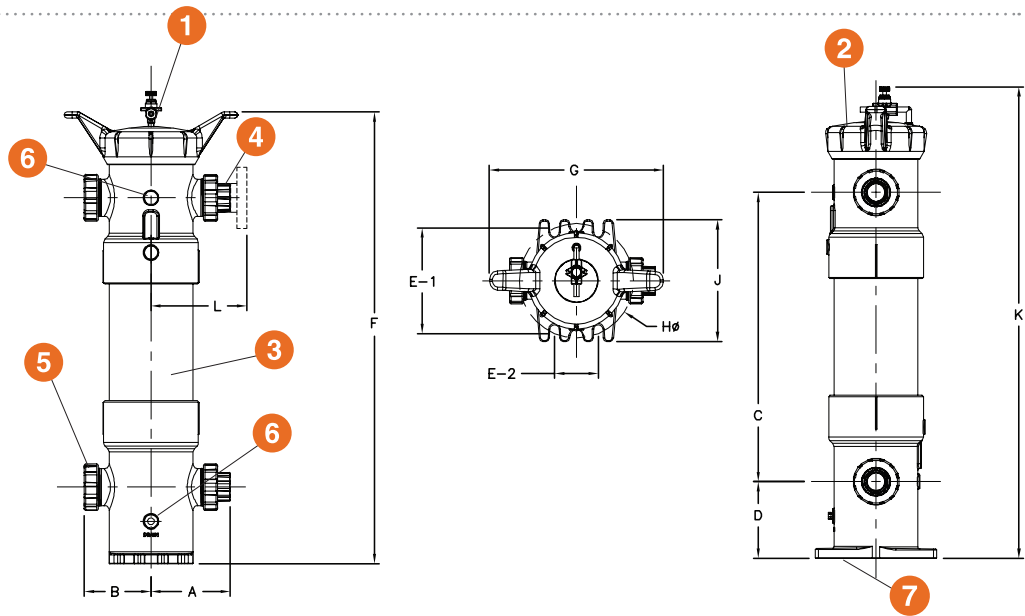
DOUBLE LENGTH – 32"  
1-1/4" TO 4" PIPE SIZES



## TECHNICAL INFORMATION

### PARTS LIST

1. Vent Valve (Included)
2. Cover
3. Filter Vessel Body
4. End Connector
5. Assembly Nut
6. Drain Port & Plug with O-Ring
7. Integrally Molded Mounting Pad

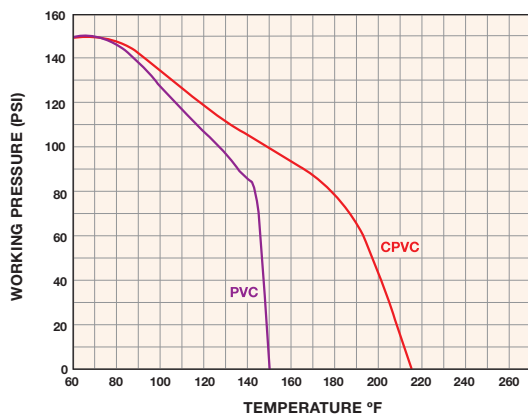


### DIMENSIONS – INCHES / MILLIMETERS

FILTER SIZE in / DN	A in / mm	B in / mm	C in / mm	D in / mm	E1 in / mm	E2 in / mm	F in / mm	G in / mm	Hø B/C in / mm	J in / mm	K in / mm	L in / mm
1-1/4" / 32	8.16 / 207	6.88 / 175	29.75 / 756	7.87 / 200	10.86 / 276	4.50 / 114	46.50 / 1181	17.90 / 455	11.75 / 298	12.50 / 318	48.0 / 1219	9.58 / 243
1-1/2" / 40	8.07 / 205	6.88 / 175	29.75 / 756	7.87 / 200	10.86 / 276	4.50 / 114	46.50 / 1181	17.90 / 455	11.75 / 298	12.50 / 318	48.0 / 1219	9.66 / 245
2" / 50	8.16 / 207	6.88 / 175	29.75 / 756	7.87 / 200	10.86 / 276	4.50 / 114	46.50 / 1181	17.90 / 455	11.75 / 298	12.50 / 318	48.0 / 1219	9.90 / 251
2-1/2" / 65	8.92 / 227	7.50 / 191	29.75 / 756	7.87 / 200	10.86 / 276	4.50 / 114	46.50 / 1181	17.90 / 455	11.75 / 298	12.50 / 318	48.0 / 1219	10.96 / 278
3" / 80	8.83 / 224	7.50 / 191	29.75 / 756	7.87 / 200	10.86 / 276	4.50 / 114	46.50 / 1181	17.90 / 455	11.75 / 298	12.50 / 318	48.0 / 1219	10.85 / 276
4" / 100	9.24 / 235	7.50 / 191	29.75 / 756	7.87 / 200	10.86 / 276	4.50 / 114	46.50 / 1181	17.90 / 455	11.75 / 298	12.50 / 318	48.0 / 1219	11.70 / 297

Dimensions are subject to change without notice – consult factory for installation information.

### OPERATING TEMPERATURE / PRESSURE

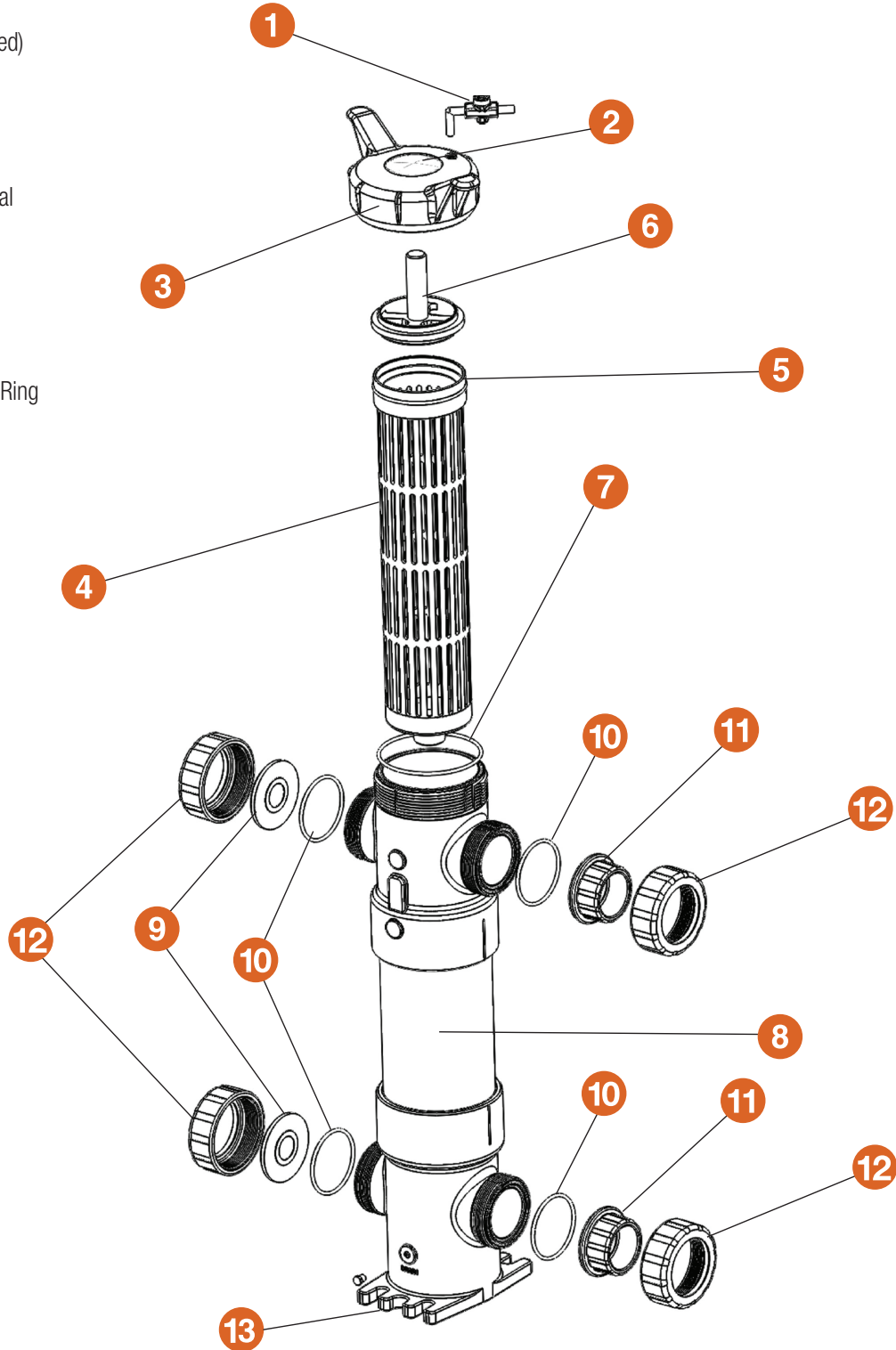


### SPECIFICATIONS

- Material of Construction:** PVC or CPVC
- Inlet Connections:** PVC (Socket, Threaded and Flanged)  
CPVC (Socket, Threaded and Flanged)
- Outlet Connections:** PVC (Socket, Threaded and Flanged)  
CPVC (Socket, Threaded and Flanged)
- Bag Size:** Bag Size #2: 7" x 32"
- Pressure Rating:** 150 PSI @ 70°F Non-Shock
- O-Ring Seals:** FPM or EPDM
- Bag Ratings:** 1, 5, 10, 25, 50, 100, 150, 200, 400, 600 and 800 Microns
- Flow Rate:** 100 GPM (May be Limited by Pipe Size or Bag Choice)
- Weight:** 71 lbs.

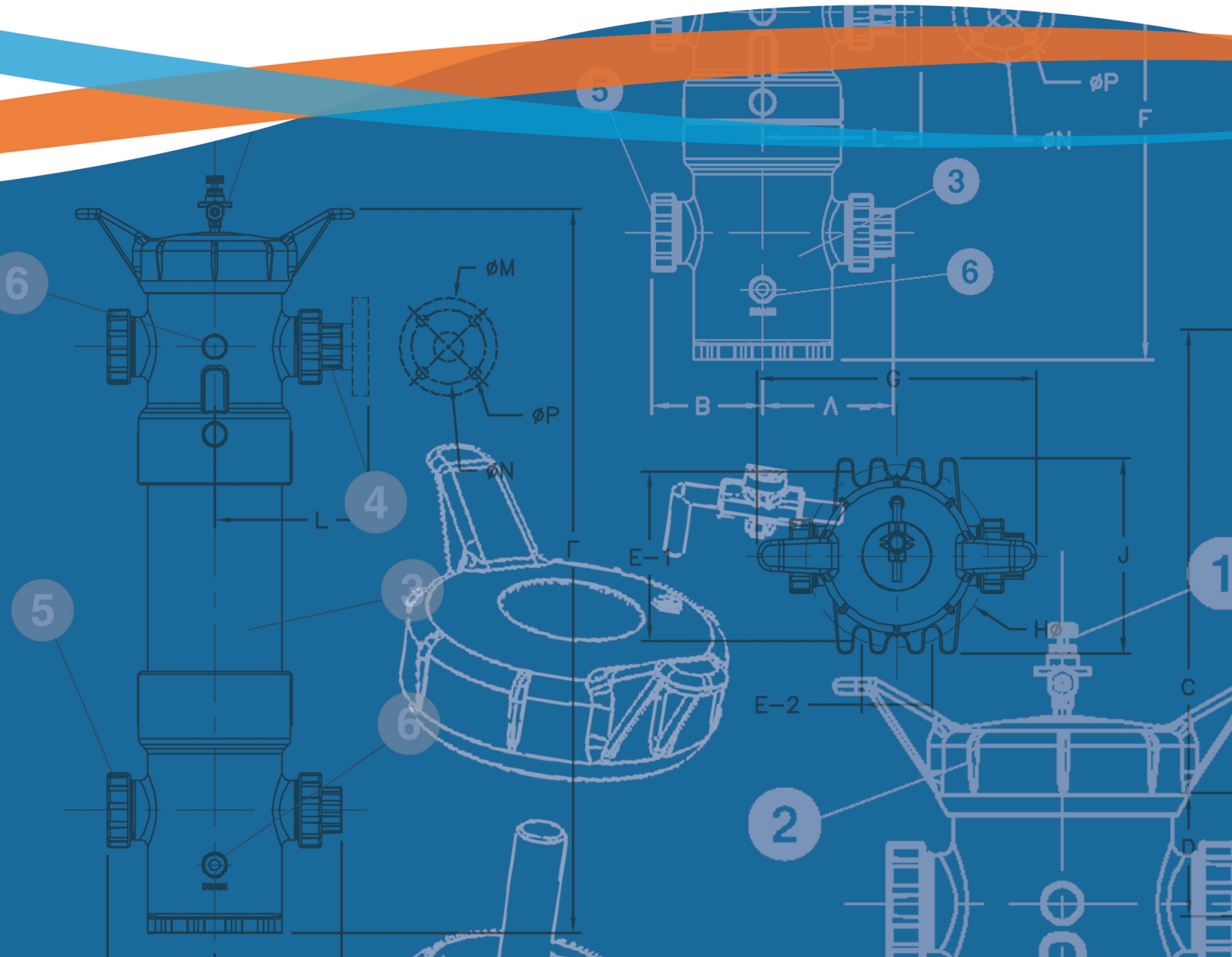
TOTAL PART LIST

- 1. Vent Valve (Included)
- 2. Hayward Bezel
- 3. Cover
- 4. Basket
- 5. Basket O-Ring Seal
- 6. Bag Retainer
- 7. Cover O-Ring
- 8. Filter Body
- 9. End Cap
- 10. End Connector O-Ring
- 11. End Connector
- 12. Assembly Nut
- 13. Integrally Molded Mounting Pad



[www.monarchindustrial.com.au](http://www.monarchindustrial.com.au)

[www.monarchasiapacific.com.au](http://www.monarchasiapacific.com.au)



Hayward is a registered trademark of Hayward Industries, Inc. © 2016 Hayward Industries, Inc.

C/PVC-FLV0216