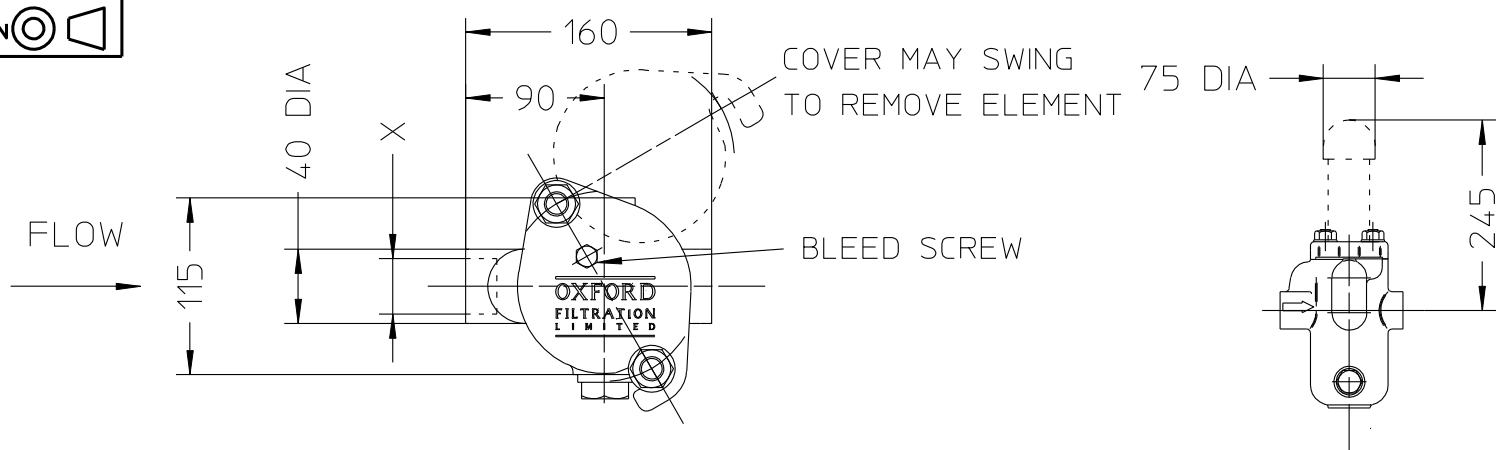


PROJECTION



COVER MAY SWING TO REMOVE ELEMENT

BLEED SCREW

75 DIA

245

FLOW →

115

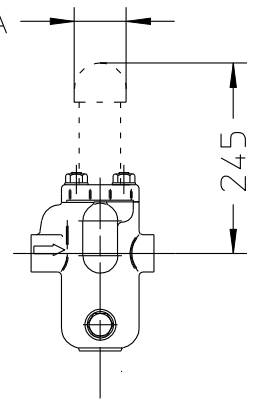
40 DIA

X

160

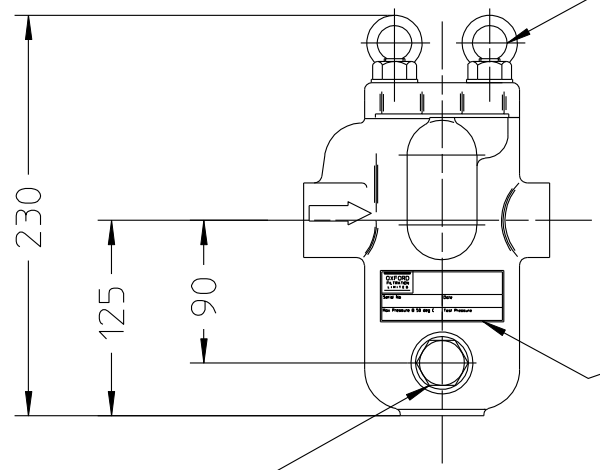
90

OXFORD FILTRATION LIMITED



EYE NUTS FITTED AS STANDARD HEX NUTS OR HAND-NUTS OPTIONAL

SPACE TO REMOVE ELEMENT



PRESSURE TEST INFORMATION LABEL



1/2" DRAIN MAY BE ON OTHER SIDE

ALL DIMENSIONS NOMINAL
 ELEMENT AREA - 200cm²
 WEIGHT OF FILTER - 10 kg
 MAX WORKING PRESSURE - 16 bar
 TEST PRESSURE - 24 bar



Brisbane, Australia
 www.monarchindustrial.com.au
 www.monarchasiapacific.com.au

UNLESS SPECIFIED GENERAL TOLERANCE 0 DEC PLACE +/- 1 1 DEC PLACE +/- 0.4 2 DEC PLACE +/- 1.0 ANGULAR +/- 2 Deg	APPROVED	MATERIAL	DESCRIPTION	
	DRAWN A.S.N.	OXFORD FILTRATION LIMITED	GENERAL ARRANGEMENT DN25 Threaded Single Filter	
MODIFICATION DRAIN WAS UNDER INLET	DATE 5/2/04	C 2003 This drawing and the design is the property of OXFORD FILTRATION LIMITED and may not be copied or used for any purpose other than that for which it was supplied unless expressly stated in writing		DRG NO. 12051
			ISS	2